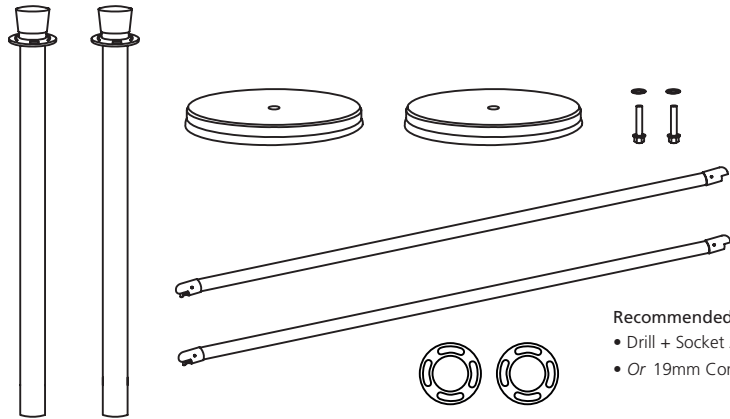


Pieces required for assembly



- Recommended Installation Tools:
- Drill + Socket Adapter + 19mm Socket
 - Or 19mm Combination Spanner with Ring

Set-up

